

QA Coupling Link Redesign

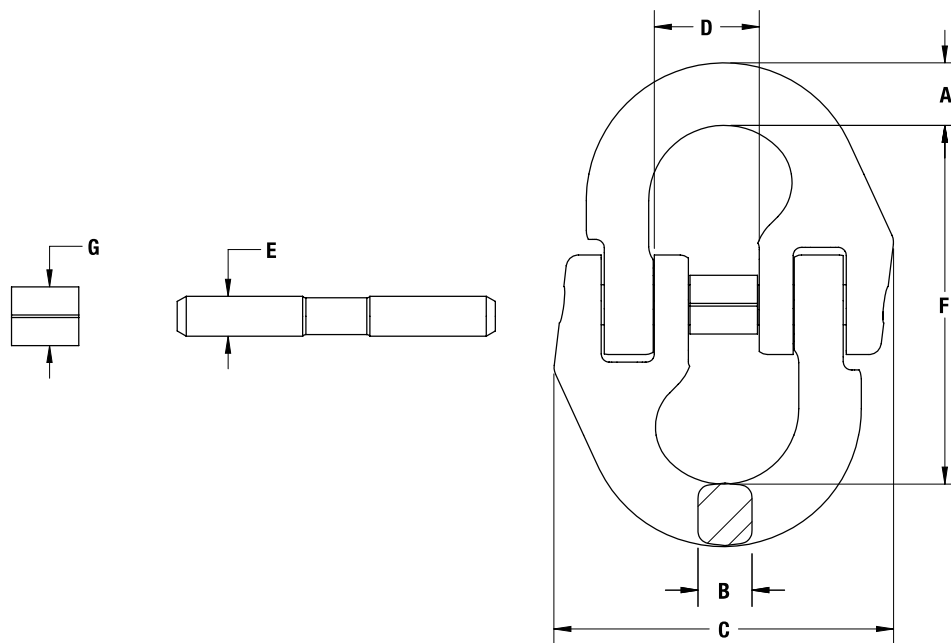
Features & Benefits:

- 3/8" & 5/8" links have been redesigned to accommodate our Wide Master Links without binding
- All sizes, 9/32" – 5/8", have been upgraded to use a Double Wall Yellow Chromate Retaining Ring for a more secure hold
- New pin/retainer repair kits are backwards compatible to work with old QA links
- 4:1 Design Factor
- Meets or Exceeds ASME B30.9 requirements
- 100% Proof Tested in Accordance with ASTM A952



Updated Part Numbers:

	Old Part #	New Part #	Description
QA Links	5779125	5779225	COUPLING LINK, 9/32", QA, SYS 10
	5779135	5779235	CHAIN, 3/8" COUPLING LINK, QA, SYS 10
	5779145	5779245	CHAIN, 1/2" COUPLING LINK, QA, SYS 10
	5779155	5779255	CHAIN, 5/8" COUPLING LINK, QA, SYS 10
Pin & Retainer Kits	5784425	5785425	CHAIN, 9/32", QA, PIN-RETAINER, SYS 10
	5784435	5785435	CHAIN, 3/8", QA, PIN-RETAINER, SYS 10
	5784445	5785445	CHAIN, 1/2", QA, PIN-RETAINER, SYS 10
	5784455	5785455	CHAIN, 5/8", QA, PIN-RETAINER, SYS 10



Specifications:

Size	A		B		C		D		E		F		G	
	in.	mm	in.	mm	in.	mm	in.	mm	in.	mm	in.	mm	in.	mm
9/32	0.375	10	0.344	9	1.594	40	0.563	14	0.205	5	2.203	56	0.326	8
3/8	0.500	13	0.438	11	2.375	60	0.813	21	0.306	8	2.750	70	0.45	11
1/2	0.688	17	0.563	14	3.000	76	1.031	26	0.391	10	3.375	86	0.615	16
5/8	0.813	21	0.719	18	3.875	98	1.281	33	0.469	12	4.125	105	0.676	17

Note: Due to slight change in bearing point dimensions on the 3/8" & 5/8" links, it is advised that a sling be constructed of either all new or all old QA links, not a combination of both.